

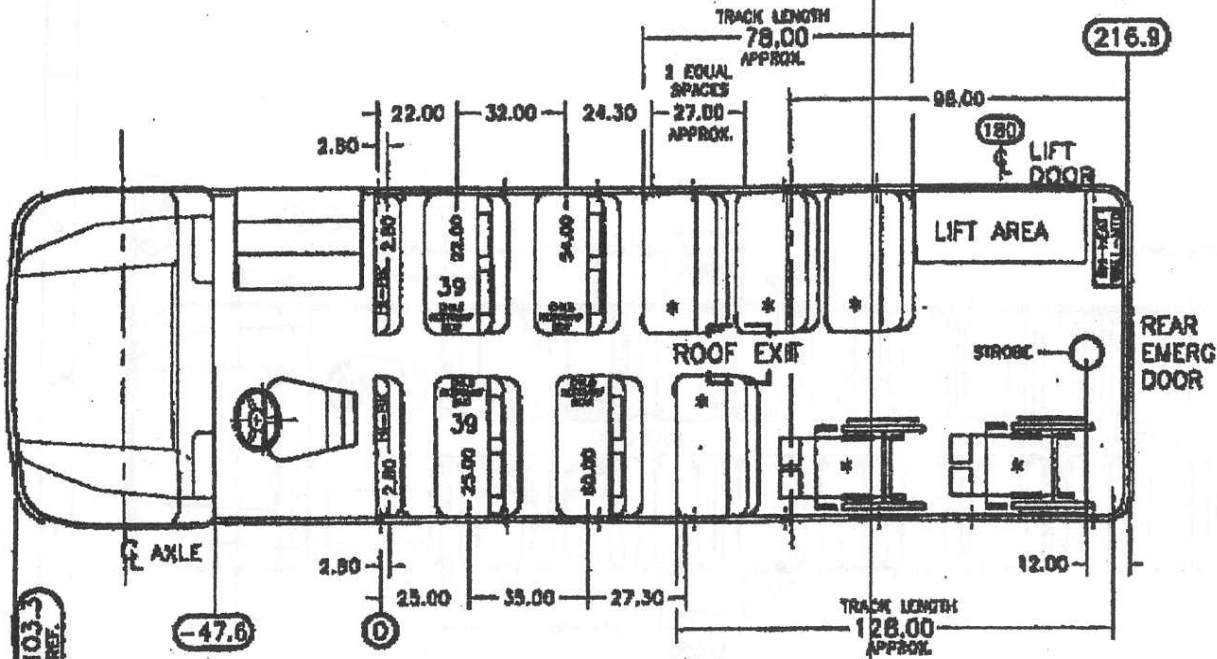
NC B1
2004

BODY PLAN

WHEELBASE 193"

FLAT FLOOR

PB10500, 22 FT. 2 IN., CAP 26, SEAT SIZE 39/39, SEAT SPACING VARIES, LIFT-REAR, 2-WC



* 206" ; TOTAL TRACK LENGTH (APPROXIMATELY)

49000 / 49000

JUN 15 '04 11:06AM NAVISTAR

* NOTE:
 IT IS THE SELLING DEALER'S RESPONSIBILITY TO VERIFY THAT ANY WHEELCHAIR ACCESS SYSTEM SPECIFIED AND DEPICTED ON THIS DRAWING MEETS ALL DESTINATION TRAVEL REQUIREMENTS AND TO ALSO VERIFY THAT THE WHEELCHAIR CAN BE PLACED AND SECURED WITH RESPECT TO SEATS, HALLWAYS, LIFTS, STAIRS, ENTRANCES, AND OTHER DOORS, STAIRS, ETC.

POSSESSION OF THIS PRINT DOES NOT IN ANY WAY OBLIGATE IC CORPORATION TO BUILD THE BUS SHOWN.

NO TRACK SHOWN FOR REFERENCE ONLY.

BODY PLAN PB10500 22 FT. 2 IN. 26 PASS NC-12K 1	
DATE: 06/15/04 TIME: 11:06 AM DRAWN BY: [Name] CHECKED BY: [Name]	SCALE: 1/8" = 1'-0" SHEET NO: 1 OF 1 PROJECT NO: [Number]